

XV50, XV144, XV222, XV432 OWNER'S MANUAL ERRATA

Rev. C-3, November 28, 2006

**THESE MANUAL CORRECTIONS MUST BE MADE
TO THE MANUAL OR YOUR
TRANSVERTER MAY NOT FUNCTION CORRECTLY**

1. **Page 25, Right Column, Second Step:** Remove L17 from the list. (The tuning slug for L17 should be left in the inductor).
2. **Page 25, Right Column, Second Step:** After "L10" add "In the XV50 this inductor is a toroid and has no slug."
3. **Page 27, Left Column, after *Part V – RF Power Amplifier Quiescent Current Adjustment*, delete the following:** "Perform the following procedure only on the XV144, XV222 or XV432 transverters. The XV50 requires no adjustment."
4. **Page 28, Left Column, First Step (See below):** Add the sentence shown in bold type:

Key the 28 MHz rig to provide transmit I.F to the transverter and adjust the following inductors for maximum voltage at TP5. If the voltage exceeds 10 volts, turn R22 (Input Atten Adjust) counter clockwise (CCW) to reduce the voltage. The front panel Power Output LEDs may begin lighting up as you peak the inductors:

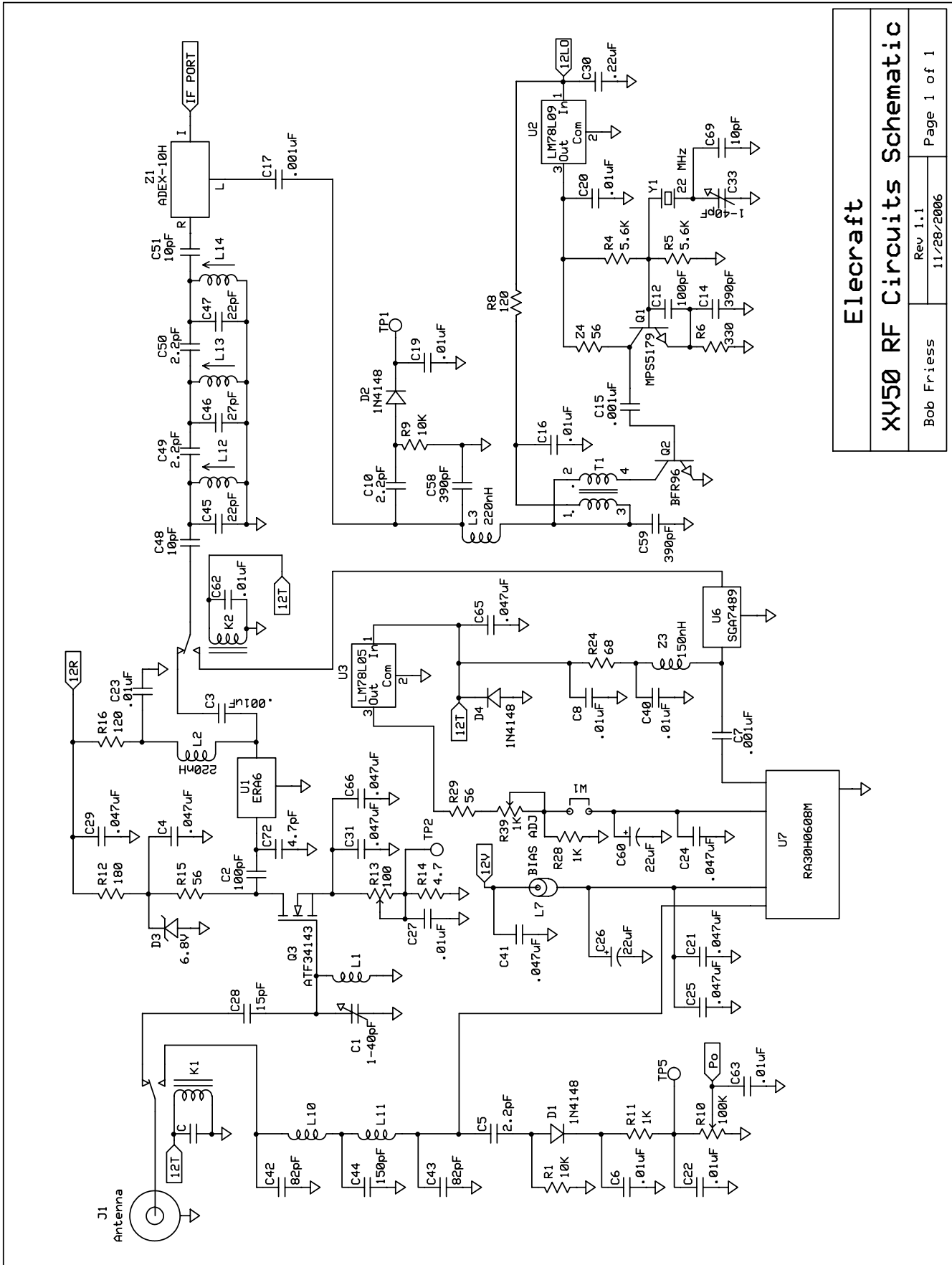
XV50, XV144 or XV222:

L12, L13, L14, L15, L16 and L17. The adjustment of L17 is very broad. **Maximum output may occur with the slug removed. If so, leave the slug out.**

XV432:

L15, L16, L17, the three adjustments in FL1 and the three adjustments in FL2. The adjustment of L17 is extremely broad because of the wide bandwidth of this filter. Maximum output may occur with the slug removed. If so, leave the slug out.

5. **Page A-6 (Appendix A):** Paste the schematic diagram on page 2 of this errata over the existing XV50 RF circuits schematic diagram in your manual.
6. **Page A-11 (Appendix A):** Paste the schematic diagram on page 3 of this errata over the existing XV432 RF circuits schematic diagram in your manual.
7. **Page B-1 (Appendix B):** Paste the new Appendix B on page 4 of this errata over the existing Appendix B in your manual.



Elecraft

XY50 RF Circuits Schematic

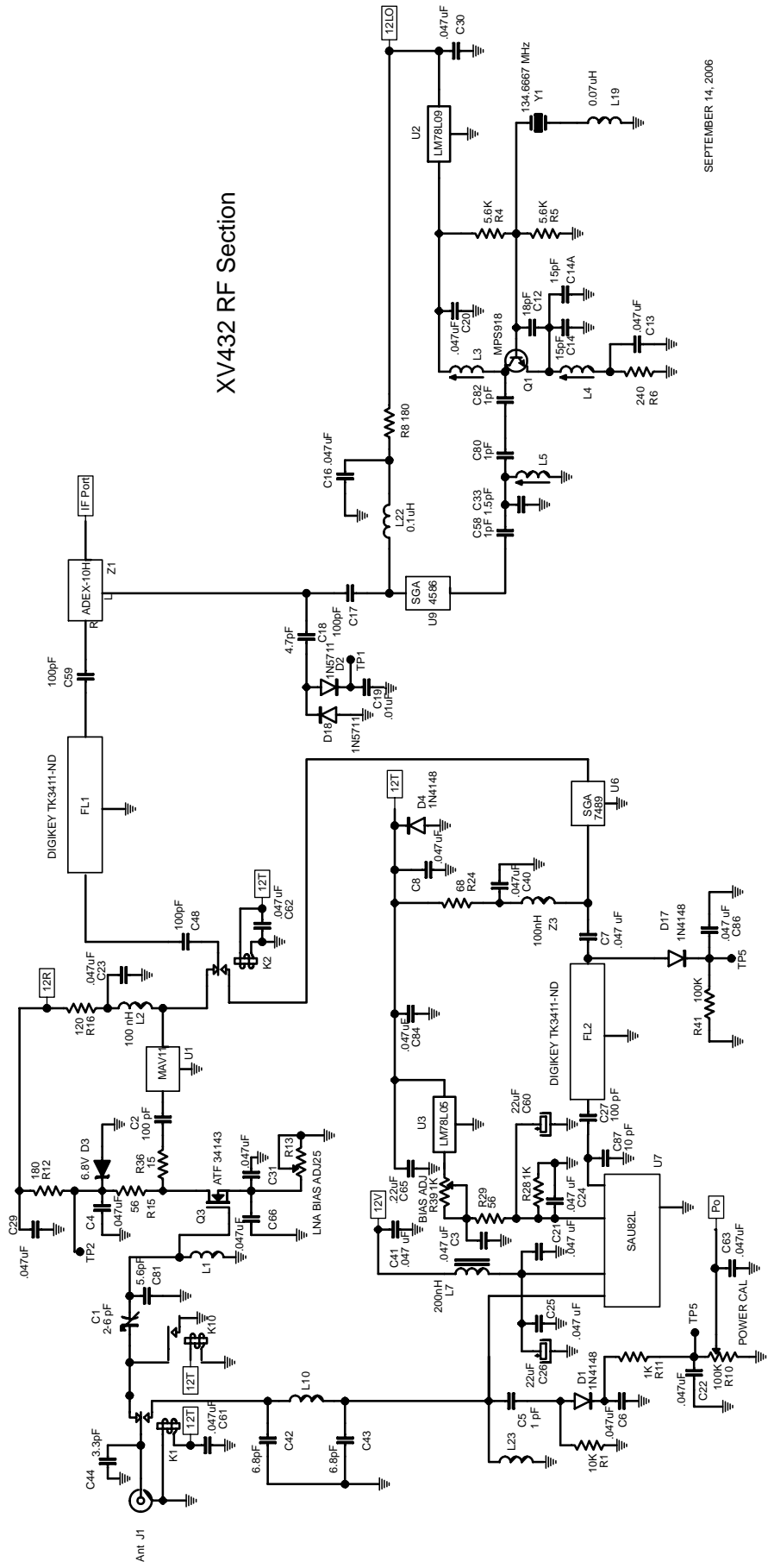
Bob Friess

Rev 1.1

Page 1 of 1

11/28/2006

XV432 RF Section



SEPTEMBER 14, 2006

Appendix B – Troubleshooting

RF Power Module U7 voltages:

XV50, 144, 222, 432	U7 Pin (from rear)	RX Mode	TX Mode
	1	0	do not measure
	2	13.6	
	3	0	3.5 – 4.5
	4	0	do not measure

Typical Voltages at test points (VDC unless otherwise noted):

Location	Rx Mode	Tx Mode
TP1	0.8 – 1.2	0.8 – 1.2
	1.2 – 1.8	1.2 – 1.8
	1.0 – 1.5	1.0 – 1.5
	2.2 nom.	2.2 nom.
TP2	200-275 mV	N/A
	5.0 VDC	N/A
TP5	N/A	-
	N/A	-
	N/A	-
	N/A	9*
TP6	N/A	1.5*

* at 20 watts output.

Typical voltages active devices (VDC unless otherwise noted):

Location	Output Pin	Rx Mode	Tx Mode
U6	Output Pin	0	5
U4	1	13.6	13.6
	2	0	0
	3	5	5
Q2	B	0.25 – 0.8	0.25 – 0.8
	E	0	0
	C	6.5	6.5
Q1	B	4.1	4.1
	E	3.6	3.6
	C	8.5	8.5
U5	Output Pin	0	4.7
U1	Output Pin	3.0 – 6.0	3.0 – 6.0
U3	Input	0	13.6
	Output	0	5